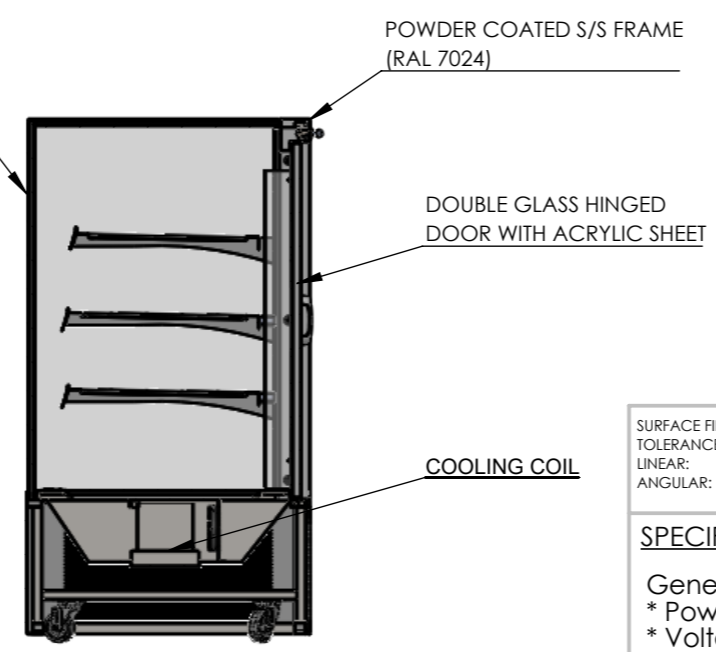



DONUT DISPLAY SECTION(C)



CAKE DISPLAY SECTION (D)

SURFACE FINISH: TOLERANCES: LINEAR: ANGULAR:	SIZE: 2100 X 750 X 1380 MM	UNLESS OTHERWISE SPECIFIED: DIMENSIONS ARE IN MILLIMETER	DATE-
SPECIFICATION General Specification:- * Power input plug: 13A * Voltage supply: 230V/50Hz-60Hz /1 PHASE * Operating Temp: 0 to +5°C * Compressor: 1/2 HP * Refrigerant: R134a		 ANKE <small>Al Naseeb Kitchen Equipments Manufacturing LLC.</small>	
MATERIAL: POWDER COATED STAINLESS STEEL (RAL 7024)	REF NO:		
SCALE:1:20		SHEET 1 OF 1	